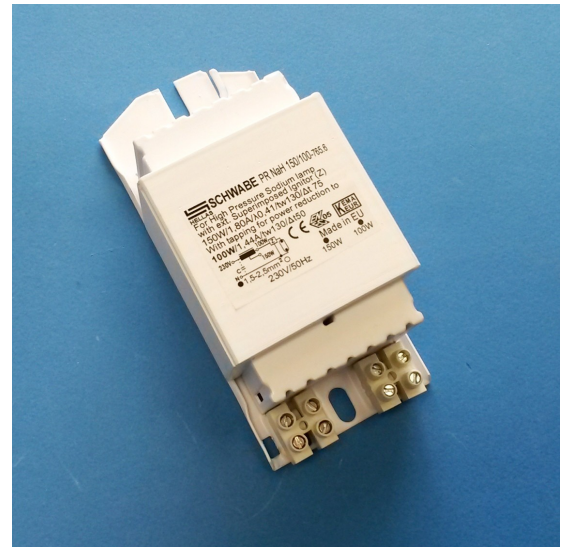
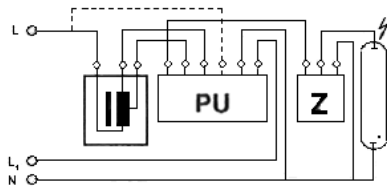
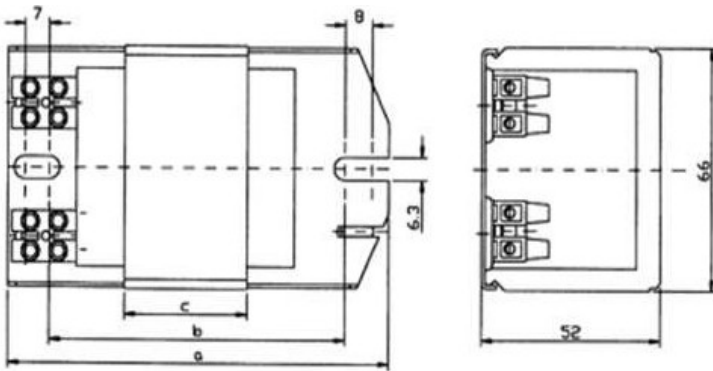


## TECHNICAL SPECIFICATIONS

### Power Reduction Ballasts shape 66x52mm for HP Sodium Lamps



Protection class I  
 EN 61347:2008+A1:2011,  
 EN 61347-2-9:2001+A1:2003+A2:2006 ,  
 EN 60923:2005+A1:2006  
 IEC 61347, IEC 62384  
 Quality Control System: **ISO 9001/2000**

### Power Reduction Ballasts shape 66x52mm for HP Sodium Lamps :

BALLAST TYPE	V/ HZ	LAMP		Nominal Current	Cos φ	Losses	Cp μF ± 10%	TEMPERATURE		DIMENSIONS	
		TYPE	POWER					tw	Δt	A	B
PRNAHJ 150/100 765.6	230/50	HS	150W (101W)	1,80A	0,41	21W (17W)	20	130°C	75 55	145 mm	120 mm