

Technical Specifications

Electronic 60W/ Transformer for 12V Halogen Lamps

ELECTRONIC TRANSFORMER 60W

Independent plastic case
 Suitable for luminaries safety class II
 Degree of protection IP 20
 Suitable for installation in furniture
 SELV equivalent
 Fixing screws M4
 Screw-terminals 1,5mm²

AC operation

AC 220-240V+/-10%, 50..60Hz
 Output for use of 12V Halogen lamps
 High efficiency >94%

Features

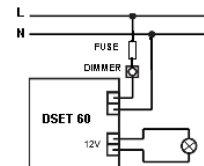
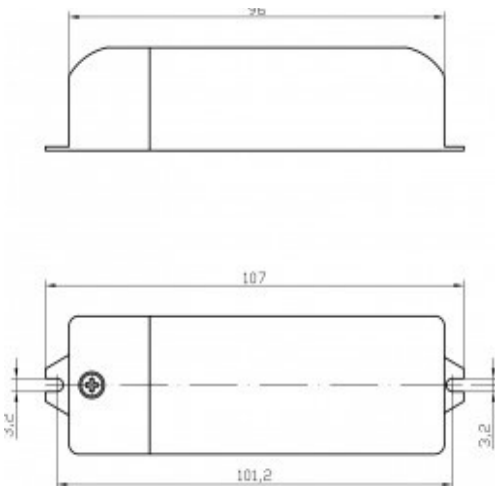
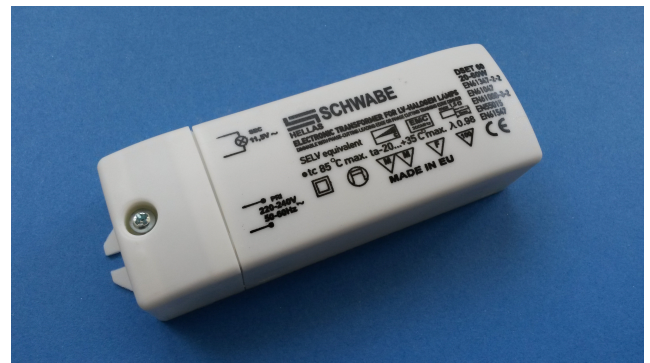
Large power range 20...60W
 Low output voltage change
 Soft start for long lamp lifetime
 Protection against: "no load operation" and short circuit
 Electronically controlled overload and temperature protection
 Dimming: optional with phase-cutting leading edge or phase-cutting training edge dimmer

Standards

EN 61347; EN 61047; EN 61000-3-2; EN 55015; EN 61547

EMC requirements

RFI conform up to 300MHz
 Power factor >0,98, low harmonics
 Immunity according standard
Lifetime: 50 000 h (90% survival)
Protection class:II



TRANSFORMER 220V - 240V,

TYPE	LAMP POWER	Voltage AC 50-60HZ (V+/-10%,)	AC VOLTAGE RANGE (V)	AC MAINS CURRENT (A)	λ	Output voltage (v)	Ambient temp. ta°C	Tc point max (°C)	WEIGHT (g)
SET60	20-60 W	220-240	198-264	0,1-0,3	>0,98	10,4-11,9	-10/+45	85	65